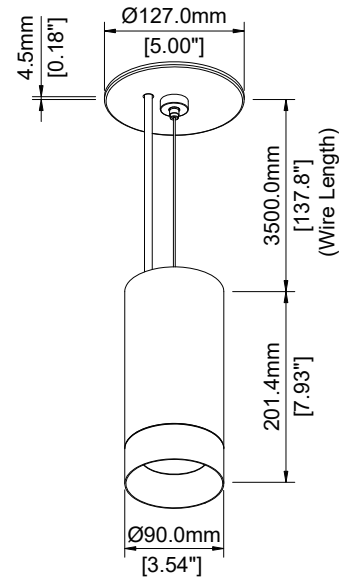


Specification sheet

REV.1

VAL100 CPRD 20
Pendant Cylinder, length 200mm



Description

VAL100 is a MACRON solution for high-performance cylinder applications. The 200 mm version can drive upto 30W and deliver unmatched 2100 lm from a 3.5" (90 mm) aperture. VAL100 also features integrated drivers with 3-in-1 dimming technology, that are best suitable for open-ceiling applications. Twist-lock installation mechanisms, best-in-class lighting quality, and sleek aesthetics and finishes are just some details that distinguishes MACRON philosophy from others. VAL family is designed to integrate and complement your architectural aspiration.

Features

LED	Lumiled Luxeon COB1205
Color temperature	2700K/ 3000K/ 3500K/ 4000K
Optics	Spot 20° / Medium 25° / Wide 34° / Flood 55°
Driver	Integrated class 2 driver, power factor >0.90 Tri-dimmable, TRIAC/ELV/0-10V

Performance

Delivered output	Up to 2112 lm(90+ CRI)
Power consumption	29 W
Color rendering	90+ CRI
CBCP	Spot 8075 cd / Medium 5819 cd / Wide 4091 cd / Flood 2518 cd
Lumen maintenance	L80, B10 50,000 hrs

Ordering Code Information

PRODUCT	SHAPE	MODE	LENGTH	COLOR TEMPERATURE	FINISH	BEAM ANGLE	COLOR RENDERING	INPUT / DIMMING
VAL 100 CP	R	D	20	30	WHBK	S	9	3AE
VAL 100 CP, Cylinder Cable Pendant	R (Round)	D (Direct)	20 (200 mm)	27 (2700K) 30 (3000K) 35 (3500K) 40 (4000K)	WHBK (White/Black) BKGD (Black/Gold) BKBK (Black/Black)	S (Spot / 20 deg.) M (Medium / 25 deg.) W (Wide / 34 deg.) F (Flood / 55 deg.)	9 (90 CRI+)	3AE (120-277V, TRIAC/ELV/0-10V Dimming)

Electrical and Control

Input voltage	120V-277V
Control	TRIAC/ELV/0-10V Dimming
Feature	Overload & short circuit protection

Construction

Material	Casting & Extrusion grade Aluminum Alloy
Finishes	Black body with gold trim/ Black body with black trim/ White body with black trim
Optics	Field Interchangeable optics

Rating/ Certification/ Warranty

- Dry and damp Locations
- RoHS compliant
- 5 years/ 50,000 hrs warranty

Specification sheet

REV.1

VAL100 CPRD 20
Pendant Cylinder, length 200mm

Photometrics

29W | 90CRI | 3000K | White body with Black trim

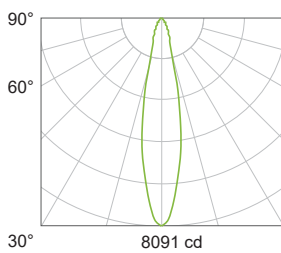
MULTIPLYING FACTORS: (Multiplying Factor is based on 3000K-90+CRI IES file on website)

CCT	2700K-80+	3000K-80+	3500K-80+	4000K-80+
Factors	1.11	1.16	1.18	1.21

CCT	2700K-90+	3000K-90+	3500K-90+	4000K-90+
Factors	0.96	1.0	1.04	1.08

Spot 20°

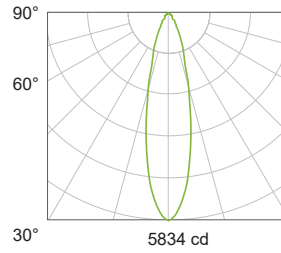
Delivered Ourput : 1889 lm | CBCP : 8075 cd | Beam Angle : 20°



Center Beam Intensity	Beam Width	Height
8091 lx	36cm	1m
2023 lx	72cm	2m
899 lx	108cm	3m
506 lx	144cm	4m
324 lx	180cm	5m

Medium 25°

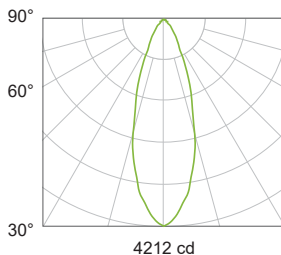
Delivered Ourput : 1942 lm | CBCP : 5819 cd | Beam Angle : 25°



Center Beam Intensity	Beam Width	Height
5835 lx	45cm	1m
1459 lx	90cm	2m
648 lx	135cm	3m
365 lx	180cm	4m
233 lx	225cm	5m

Wide 34°

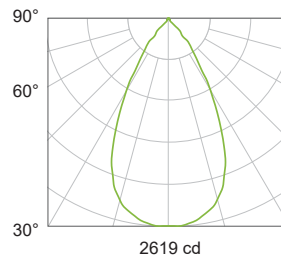
Delivered Ourput : 1932 lm | CBCP : 4091 cd | Beam Angle : 34°



Center Beam Intensity	Beam Width	Height
4198 lx	65cm	1m
1049 lx	130cm	2m
466 lx	194cm	3m
262 lx	259cm	4m
168 lx	324cm	5m

Flood 55°

Delivered Ourput : 2112 lm | CBCP : 2518 cd | Beam Angle : 55°



Center Beam Intensity	Beam Width	Height
2578 lx	106 cm	1m
645 lx	212 cm	2m
287 lx	318 cm	3m
161 lx	424 cm	4m
103 lx	530 cm	5m

Optional Accessory

Product

VAL 100

VAL 100

ACC.

HCL

HCL
Honey Comb Louver

